

Assembly and Operating Manual

Compact Supply air unit

ECR 12

ECR 16

ECR 20

ECR 25

ECR 31

English

The data specified above only serve to describe the product. No statements concerning a certain condition or suitability for a certain application can be derived from our information. The information given does not release the user from the obligation of own judgment and verification. It must be remembered that our products are subject to a natural process of wear and aging.

This document, as well as the data, specifications and other information set forth in it, are the exclusive property of **MAICO** Elektroapparate Fabrik GMBH. It may not be reproduced or given to third parties without its consent.

The picture on the cover shows an example configuration. The product supplied may therefore differ from the illustration.

The original manual has been produced in the German language.

Information updated: print 31.08.2011
We reserve the right to make changes

Assembly and Operating Manual

Contents

1. Important information	4
1.1. Rules and laws	4
1.2.. Guarantee and liability	4
2. General safety instructions	4
2.1.. Intended use	4
2.2. Improper use	5
2.3. Personnel qualifications	5
2.4. Safety instructions in this manual	5
2.5. Adhere to the following instructions	6
2.5.1. General instructions	6
2.5.2. During installation	6
2.5.3. During commissioning	6
2.5.4. During operation	6
2.5.5. During cleaning	6
2.5.6. During maintenance and repair	6
2.5.7. Disposal	6
2.6. Safety labels on the product	7
3. Delivery contents	7
4. Product and Performance description	8
4.1. Device description	8
5. Transport and storage	9
6. Assembly	9
6.1. Permitted installation positions	10
7. Electrical connection	10
7.1. Overcurrent protection	11
7.2. Wiring diagrams	11
8. Commissioning	12
9. Operation	13
9.1. Control unit	13
9.1.1. Adjustment of the control unit parameter	13
9.2. Menu management	14
9.3. Menu functions	15
9.3.1. Time / Time switch	15
9.3.2. Operating variables Menu	16
9.3.3. Parameter settings Menu	17
9.4. Additional functions	18
10. Maintenance and repair	18
10.1. Important notes	18
10.2. Cleaning and care	19
10.3. Maintenance	19
10.3.1. Air filter	19
10.3.2. Changing the battery	20
11. Expansion and reconfiguration	20
12. Dismantling and disposal	20
12.1. Disassembling the product	20
12.2. Disposal	20
13. Troubleshooting	21
13.1. Low-current fuses	21
13.2. Fault diagnosis chart	22
13.3. Possible operating faults	22
14. Technical data	23
15. Appendix	24
15.1. List of parameters	24
15.2. Wiring diagrams	25



1. Important information

This manual contains important information on the safe and appropriate assembly, transport, commissioning, operation, maintenance, disassembly and simple troubleshooting of the product.

The product has been manufactured according to the accepted rules of current technology.

There is, however, still a danger of personal injury or damage to equipment if the following general safety instructions and the warnings before the steps contained in these instructions are not complied with.

- **Read these instructions completely and thoroughly before working with the product.**
- **Keep these instructions in a location where they are accessible to all users at all times.**
- **Always include the operating instructions when you pass the product on to third parties.**

1.1. Rules and regulations

Also observe the generally applicable, legal or otherwise binding regulations of the European or national legislation and the rules for the prevention of accidents and for environmental protection applicable in your country.

1.2. Guarantee and liability

MAICO products are made to the highest technical standards in accordance with the generally recognized rules of the profession. They are subject to constant quality control and meet the relevant requirements when delivered. Because the products are being constantly developed, we reserve the right to make changes to the products at any time and without prior announcement. We do not accept any liability for the correctness or completeness of this installation and operating manual.

The warranty only applies to the delivered configuration. The warranty will not apply if the product is incorrectly assembled or handled or not used as intended.

2. General safety instructions



Planners, plant engineers and operators are responsible for ensuring that the product is installed and operated correctly.

- Exclusively use MAICO ventilatoren in good technical order and condition.
- Check the product for visible defects, for example cracks in the housing or missing rivet, screws and covers.
- Only use the product within the performance range provided in the technical data.
- Protection against contact and being sucked in and safety distances should be provided in accordance with DIN EN 294 and DIN 24167-1.
- Generally prescribed electrical and mechanical protection devices are to be provided by the client.
- Safety components must not be bypassed or put out of operation.
- The product may be operated by personnel with limited physical, sensory or mental capacities only if they are supervised or have been instructed by responsible personnel.
- Children must be kept away from the product.

2.1. Intended use

The MAICO fan is a component in terms of the machine directive 2006/42/EC (partial machine). The product is a not ready-for-use machine in terms of the machine directive. It is intended exclusively for installation in a machine or in ventilation equipment and installations or for combination with other components to form a machine or installation. The product may be commissioned only if its integrated in the machine/system for which it is designed and the machine/system fully complies with the EC machine directive.

Observe the operating conditions and performance limits specified in the technical data.

MAICO products can be used to provide:

- Clean, dry air (no condensation) and non-aggressive gases with a maximum density of 1.3 kg/m³.
- The medium and room temperatures and the humidity range given in the technical data and on the rating plate.

Intended use includes having read and understood these instructions, especially chapter 2 "General safety instructions".



2.2. Improper use

Any use of the product other than described in chapter "Intended use" is considered as improper. Also note the following points, which are improper and dangerous:

- Delivery of explosive and flammable media or operation in potentially explosive atmospheres.
- Delivery of aggressive and abrasive media.
- Delivery of media containing dust or grease.
- Installation outside without any protection against the weather.
- Installation in wet areas.
- Operation without the duct system.
- Operation with closed air connections.

2.3. Personnel qualifications

Assembly, commissioning and operation, disassembly and service (including maintenance and repair) require basic mechanical and electrical knowledge, as well as knowledge of the appropriate technical terms.

In order to ensure operating safety, these activities may therefore only be carried out by qualified technical personnel or a person under the direction and supervision of qualified personnel. Qualified personnel are those who can recognize possible hazards and institute the appropriate safety measures due to their professional training, knowledge, and experience, as well as their understanding of the relevant conditions pertaining to the work to be done. Qualified personnel must observe the rules relevant to the subject area.







2.4. Safety instructions in this manual

In this manual, there are safety instructions before the steps whenever there is a danger of personal injury or damage to the equipment. The measures described to avoid these hazards must be observed.

Safety instructions are set out as follows:

Safety sign (warning triangle) - Draws attention to the risk

- **Type of risk** - Identifies the type or source of the hazard.
- » **Consequences** - Describes what occurs when the safety instructions are not complied with.
- **Precautions** - States how the hazard can be avoided.

Safety sign (warning triangle)	Denotation
	General warning! Indicates possible hazardous situations. Failure to observe the warnings may result in personal injury and / or damage to property.
	Electricity warning (hazardous voltage)! Indicates possible hazards due to electricity. Failure to observe the warnings may result in death, injury and/or damage to property.
	Hot surface warning! Indicates possible hazards due to high surface temperatures. Failure to observe the warnings may result in personal injury and/or damage to property.
	Crushing of fingers warning! Indicates possible hazards due to moving and rotating parts. Failure to observe the warnings may result in personal injury.
	Overhead load warning! Indicates possible hazards due to overhead loads. Failure to observe the warnings may result in death, injury and/or damage to property.
	Important instructions follow! Instructions for safe, optimum use of the product.



2.5. Adhere to the following instructions

2.5.1. General instructions

- Observe the provisions for accident prevention and environmental protection for the country where the product is used and at the workplace.
- Persons who assemble, operate, disassemble or maintain MAICO products must not consume any alcohol, drugs or pharmaceuticals that may affect their ability to respond.
- Responsibilities for the operation, maintenance and regulation of the product should be clearly determined and observed so that there can be no unclear areas of responsibility with regard to safety.
- Never overload the product. Never use it as a handle or step. Do not place anything on it.
- The warranty only applies to the delivered configuration.
- The warranty will not apply if the product is incorrectly assembled or handled or not used as intended.

2.5.2. During installation

- Disconnect all of the product's poles from the mains before installing the product or connecting or removing plugs. Make sure that the product cannot be switched back on again.
- Lay cables and lines so that they cannot be damaged and no one can trip over them.
- Before commissioning, make sure that all gaskets and seals in the plug-in connections are correctly fitted and undamaged in order to prevent fluids and foreign matter getting into the product.
- Information signs must not be changed or removed.

2.5.3. During commissioning

- Make sure that all electrical connections are either used or covered. Commission the product only if it is installed completely.

2.5.4. During operation

- Only authorized personnel is allowed to operate the setting mechanisms of the components or parts, under the provision that the system is used as intended.
- In an emergency, or if there is a fault, or other irregularities, switch the equipment off and make sure it cannot be switched back on again.
- The technical data given on the rating plate must not be exceeded.

2.5.5. During cleaning

- Never use solvents or aggressive detergents. Only clean the product using a slightly damp, lint-free cloth. Only use water to do this and, if necessary, a mild detergent.
- Do not use a high-pressure cleaner for cleaning.
- After cleaning, make sure that the product is working correctly again.

2.5.6. During maintenance and repair

- If operated correctly, MAICO products only require a minimum amount of maintenance. Please follow all of the instructions given in section 10 in this respect.
- Make sure that no connections or components are loosened unless the device is disconnected from the mains. Make sure that the equipment cannot be switched back on again.
- Individual components must not be interchanged. For example, the components intended for one product may not be used for other products.

2.5.7. Disposal

- Dispose the product in accordance with the currently applicable national regulations in your country.

2.6. Safety labels on the product

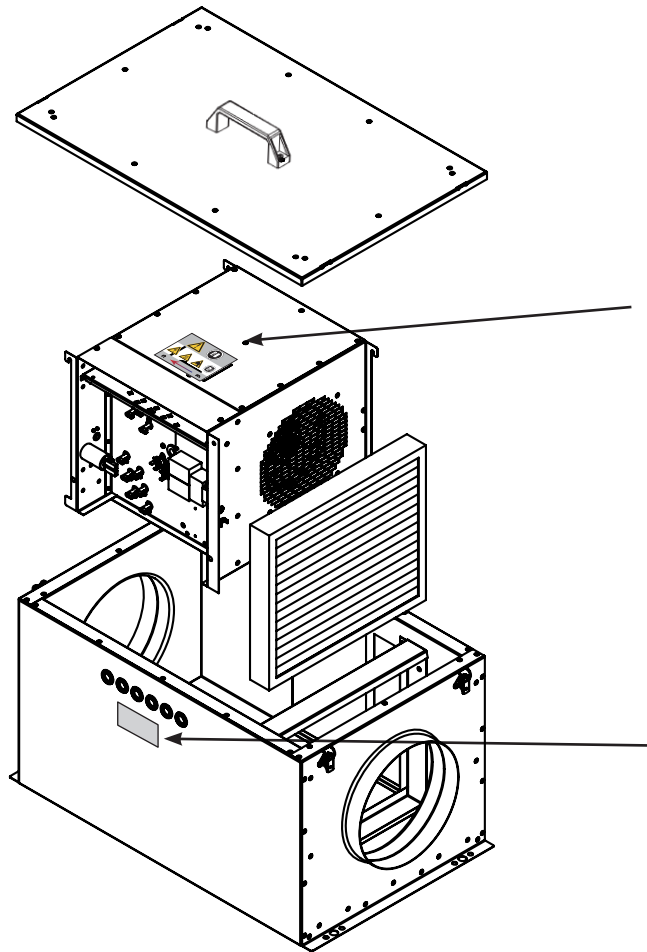
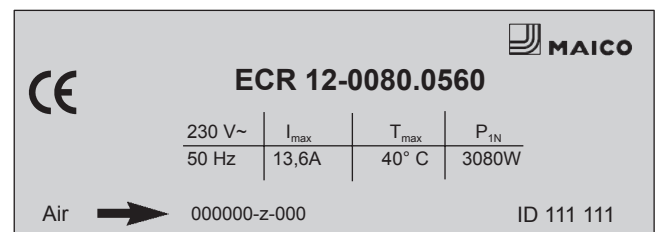
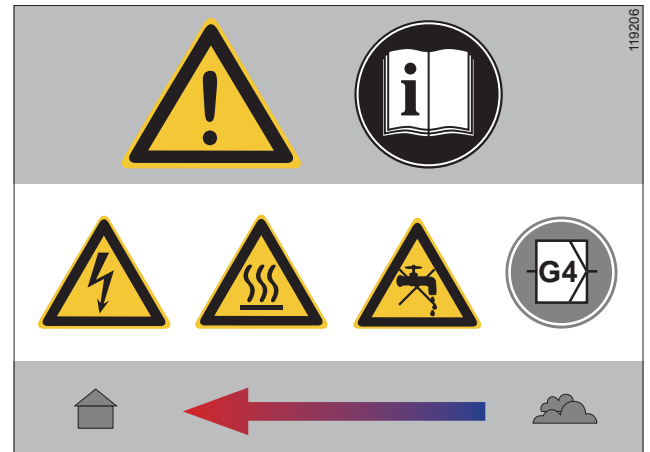


Fig. 1:
Safety labels on the product



Rating plate example ECR 12-0080.0560



- General warning
Failure to observe the warnings may result in personal injury and / or damage to property.
- Unauthorized repairs may cause personal injury and / or damage to property, in which case the manufacturer's guarantee or warranty will not apply.



- Electricity warning (hazardous voltage)
» Failure to observe the hazard may result in death, injury or damage to property.
→ Before performing any work on conductive parts, always disconnect the unit completely from the electricity supply and make sure that it cannot be switched back on again.



- Caution! Burning hazard.
» Failure to observe the hazard may result in personal injury and/or damage to property.
→ Do not touch the surface until the motor and heater have cooled.



- Never clean the internal space with flowing water or a high-pressure cleaner. Do not use aggressive or easily flammable products for cleaning (impellers/housing).
→ Only use mild suds. The impeller should be cleaned with a cloth or brush.



Read the operating manual before commissioning the product.



Air filter (Z-Line) Filter class G4

3. Delivery contents

Included in delivery depending on model type:

- 1 x ECR compact supply air unit
- 1 x remote control with control cable
- 1 x installation and operating manual

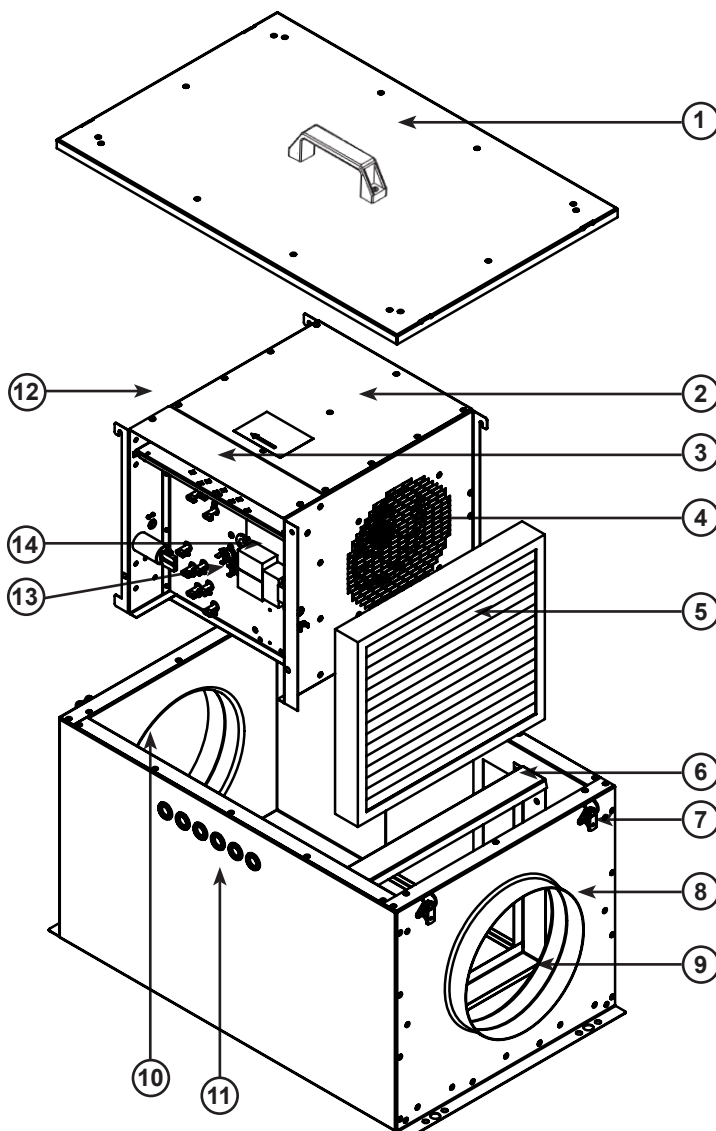
4. Product and Performance description

The ECR compact supply air unit is a complete, ready-to-use supply air unit with Z-Line air filter, fan, electric heater and integrated control. The unit has a remote control for controlling and setting up the operating parameters. The high quality housing consists of a frameless sheet metal structure with smooth internal and external walls. The housing is insulated with 30 mm mineral wool. There are no cold bridges. Glass-fibre sealed insulating material on the inside reduces intake and extraction noises. The ECR can be operated with three fan stages. The speed stages allow the right amount of ventilation for the requirements.

Data in detail:

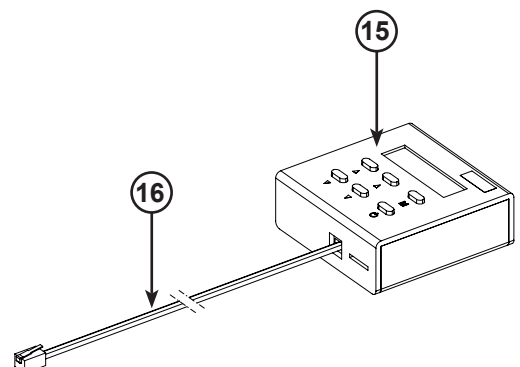
- Galvanized steel housing.
- Removable aluminium cover.
- Extractable fan unit.
- Free-running, backwards curving impeller.
- External-rotor motor with integrated thermal contact, designed for continuous operation.
- Completely integrated control.
- External control unit.
- Maximum temperature: 40 °C
- Protection class: in ceiling installation with cover at the bottom and correct duct and cable connection, IP 43 (see Wiring diagram).

4.1. Device description



Legend

1. Cover
2. Motor mounting
3. Connection compartment cover
4. Fan
5. Air filter
6. Air filter flap
7. Catch
8. Housing
9. Fresh air
10. Supply air
11. Cable inlets
12. Electric heating element
13. Safety temperature limiter
14. Controller board
15. Remote control
16. Remote control cable





5. Transport and storage

Transport and storage should only be performed by specialist personnel in accordance with the installation and operating manual and regulations in force.

The following points should be noted and followed:

- Check the delivery according to the delivery note to ensure it is complete and correct and check for any damage. Any missing quantities or damage incurred during transport should be confirmed by the carrier. No liability is accepted if this is not observed.
- The product weighs approx. 17 - 32 kg (depending on the product type in question).
- It should be transported with suitable lifting equipment in the original packaging or on the transport equipment indicated.
- If transported with a forklift it should be ensured that the product is resting with the basic profile or base frame completely on the forks or on a pallet and the product's centre of gravity is between the forks (see Fig. 4).
- The driver must be authorized to drive a forklift truck.
- Do not go beneath the suspended load.
- Only lift and transport the machine by its base plate, never by the cover handle!
- Avoid damage or deformation of the housing.
- The product must be stored in a dry area and protected from the weather in the original packaging. Open pallets should be covered with tarpaulins. Even weatherproof modules should be covered because their weather resistance is only guaranteed after complete installation.
- Storage temperature between -10°C and $+40^{\circ}\text{C}$. Avoid severe temperature fluctuations.
- If the product has been in storage for more than a year, check the smooth running of impellers and valves by hand.

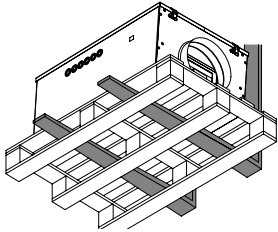


Fig. 4:
Unit transported on a pallet with a forklift.



6. Assembly

Assembly work may only be performed by specialist personnel in accordance with the installation and operating manual and the regulations and standards in force.

The following points should be noted and followed:

- The product should only be installed on ceilings with the cover on the bottom (installation height: min 1.8 m above the ground). Alternative installation positions are given in Section 6.1 „Permitted installation positions“.
- Only install in dry rooms with no condensation.
- Installation accessories should be provided by the client.
- Only suitable installation aids, in accordance with regulations, should be used.
- The installation should be easily accessible for maintenance and cleaning and should be easy to dismantle. Leave a space of at least the height of the unit + 5 cm from other units, shelves or cabinets to facilitate maintenance work such as changing the filter (see Fig. 5).
- The unit should only be installed with authorized and suitable fastening materials at all fastening points.
- It must be fastened with screws or threaded rods, minimum diameter 8 mm.
- The unit should only be installed on ceilings with adequate load-bearing capacity. Wall installations are only permitted in the positions shown in Section 6.1 „Permitted installation positions“.
- Do not distort the unit when installing.
- The unit should be suitably secured.
- No holes should be made in the housing, or any screws screwed into it.
- The duct system must not be supported on the housing.
- It is recommended that the duct system is attached with flexible connections in order to isolate any structure-borne noise.
- Make sure that the duct system cannot be closed.
- Make sure that the intake duct has direct access to the intake air.
Warning: branches in the intake duct, to other fan units for example, may, if the dimensions are too small, lead to low pressure in the duct and therefore malfunction of the unit.
- The pressure loss in the duct system must not be more than the capacity of the unit! The pressure loss in the duct should not be more than 2/3 the unit's maximum pressure so that an adequate air output can still be achieved. This will prevent malfunction.
Pressure losses in the duct system are adversely affected by: the length of the duct system, small pipe or duct cross-section, elbows, additional filters, valves, etc.

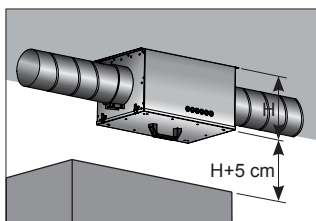


Fig. 5:
Minimum distance for maintenance work.

6.1. Permitted installation positions

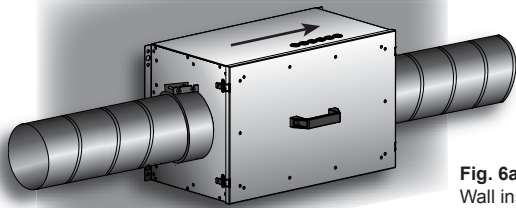


Fig. 6a:
Wall installation, connections upwards.

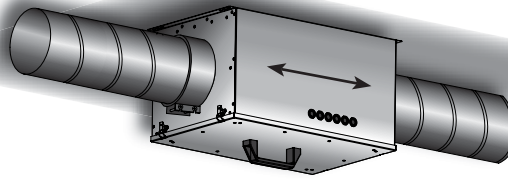


Fig. 6b:
Ceiling installation

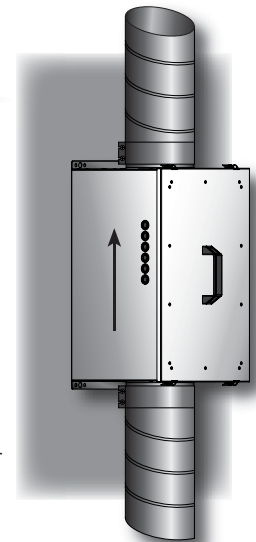


Fig. 6c:
Wall installation, air flowing upwards.

7. Electrical connection



- **Electricity warning (hazardous voltage)**
- » Failure to observe the hazard may result in death, injury or damage to property.
- Before performing any work on conductive parts, always disconnect the unit completely from the electricity supply and make sure that it cannot be switched back on again.

Electrical installation may only be performed by qualified electricians in accordance with the installation and operating manual and the national regulations, standards and guidelines in force:

- EN, DIN and VDE specifications, including all safety requirements.
- Technical connection conditions
- Safety at work and accident prevention requirements.

This list does not claim to be complete.

Requirements should be applied under one's own personal responsibility.

Requirements should be applied under one's own personal responsibility.

- The electrical connections must be made as shown in the corresponding wiring diagrams and terminal diagrams.
- The type of cable, size of cable and method of laying should be determined by an authorized electrician.
- Low and extra-low voltage cables should be laid separately.
- An all-pole mains disconnection device with at least 3 mm contact gap must be provided in the supply line.
- Use a separate cable inlet for each cable.
- Any cable inlets that are not used must be sealed so that it is airtight.
- All cable inlets must have strain relief.
- Create equipotential bonding between the unit and the duct system.
- Check all protective measures after the electrical connection work (earthing resistance, etc.).

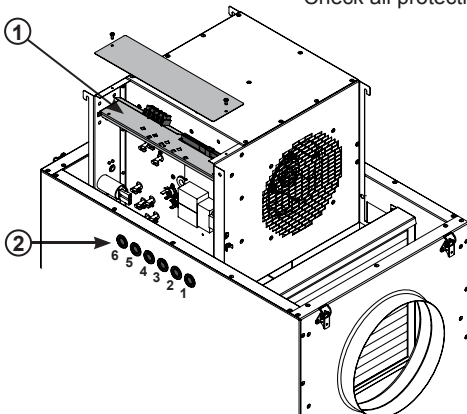


Fig. 7:
Connection chamber (1)
and cable inlets (2)

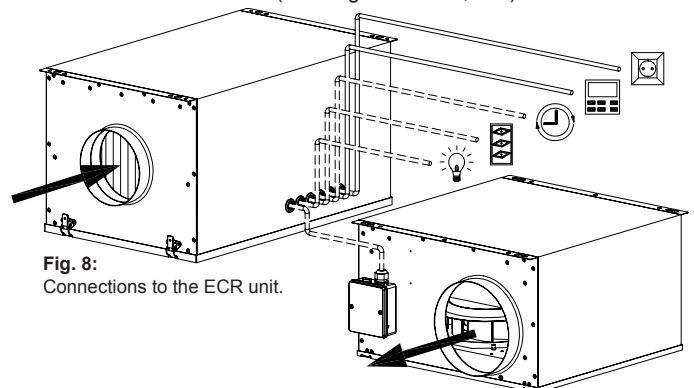


Fig. 8:
Connections to the ECR unit.

Connection compartment / Connections on the unit

The connection compartment is inside the unit. After removing the cover, the two screws in the cover on the connection compartment can be opened (see Fig. 7). Each cable to be connected must be inserted through a separate cable inlet (see Fig. 8). Cables that carry mains voltage must be fastened with the tension relief devices available.

Connection is as described in Section 7.2.

Unit supply cable

Connect the mains supply cable as shown in the wiring diagram. The supply cable is inserted through cable gland no. 6 into the ECR unit. Suitable fuse protection should be provided.

External extraction fan

A single-stage extractor fan can be connected to the terminal block. Terminals for the corresponding fan stage are shown in the wiring diagram. Terminals for neutral conductor and earth conductor are also shown in the wiring diagram. (230 VAC, max, 2A)

Valve actuator

An actuator can be connected for an air damper. Terminal assignment for opening and closing the air dampers and connecting the neutral conductor and earth conductor (see wiring diagram).

To save energy and for electrical safety, the close signal is only active for 4 minutes after the fan has been switched off (230 VAC, max. 1 A).

Unit malfunction

If there is a malfunction on the unit, an error message appears on the display and at the same time switches a relay. A closing and opening signal is available (see wiring diagram). Electrical connection of the changeover contact with U - 230 VAC and I_{max} = 2A.

Unit enabling

The unit can be switched on and off with an external potential-free contact (see wiring diagram).

An external voltage must never be applied to this connection. The control system would be destroyed. Any devices that provide a potential-free contact (e.g. a time switch) can be used to control the unit. This contact must be securely isolated from interference voltages because otherwise dangerous conditions might occur in the event of a fault.

Control unit

The control unit is connected to the supply air unit's control system with a control cable. A connector on the control cable is plugged directly into the socket on the control unit from beneath (see Fig. 9). On the unit, the control cable is first fed through a cable gland (see Fig. 7), placed in the cable duct and then connected to the RJ10 socket provided in the controller board. The control cable must not be shortened. Any excess length must be stowed outside of the housing. If the cable is too short, extensions can be ordered from the manufacturer or supplier. Alternatively, a 4-wire data cable with 120 Ohm resistance can also be connected. This is fed through the back wall of the control unit and connected to the spring-loaded terminals. In the unit, instead of being connected to the controller board in the RJ10 socket, the cable is connected in the spring-loaded terminals next to it (see wiring diagram).

The extra-low voltage control cables must be laid separately from the mains cables.

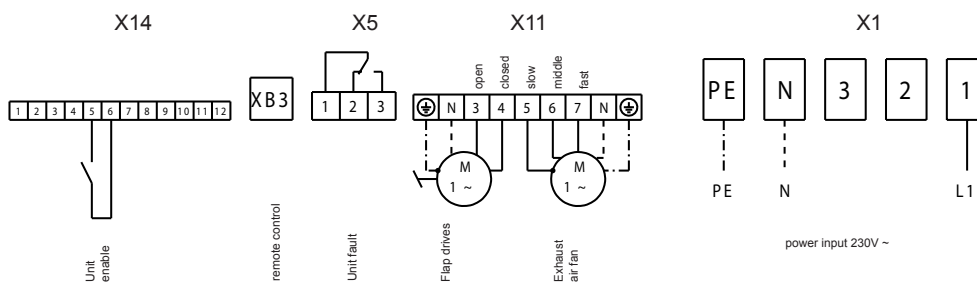
7.1. Overcurrent protection

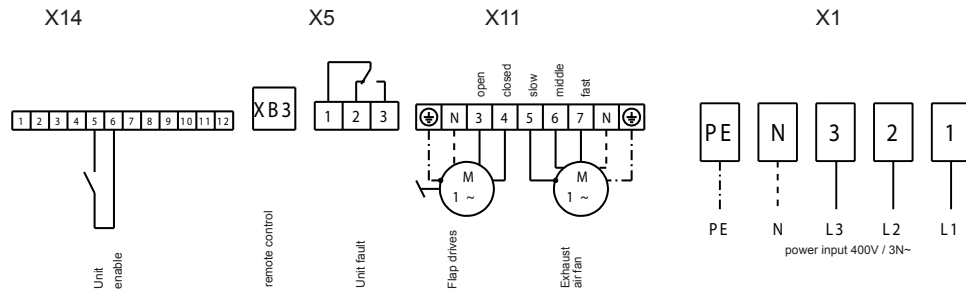
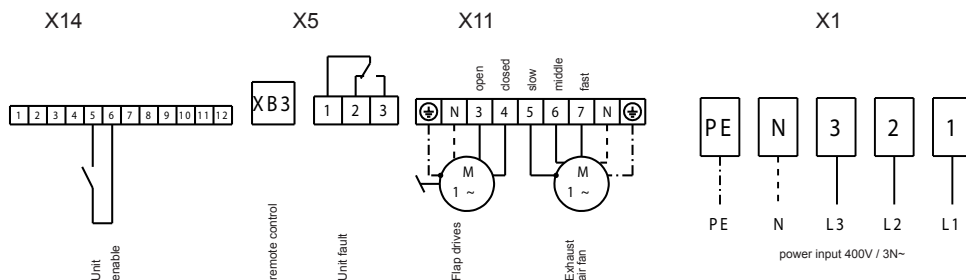
- The unit may only be operated with the correct overcurrent protection.
- This must be established by a qualified electrician.
- The recommended protection is shown in the enclosed wiring diagram.

Typ	Protection
ECR 12	1 x 16 A
ECR 16	1 x 16 A
ECR 20	3 x 10 A
ECR 25	3 x 16 A
ECR 31	3 x 16 A

7.2. Wiring diagrams

Geräte Typ: ECR 12; ECR 16



Geräte Typ: ECR 20

Geräte Typ: ECR 25; ECR 31


8. Commissioning



- **Electricity warning (hazardous voltage)**
 - » Failure to observe the hazard may result in death, injury or damage to property.
 - Before performing any work on conductive parts, always disconnect the unit completely from the electricity supply and make sure that it cannot be switched back on again.



- **Never reach into the impeller or other rotating or moving parts.**
 - » Failure to observe the hazard may lead to serious injury.
 - Work may only be performed once the impeller has come to a complete halt.



- **Caution! Burning hazard.**
 - » Failure to observe the hazard may result in personal injury and/or damage to property.
 - Do not touch the surface until the motor and heater have cooled.



Commissioning by trained technical personnel may only be performed when any risk has been ruled out. The following checks should be performed in accordance with the installation and operating manual and the regulations in force:

- Correctly sealed installation of the unit and duct system.
- Check the duct system, unit and medium lines, if present, remove any foreign bodies if necessary.
- The intake opening and inflow into the unit must be clear.
- Check all mechanical and electrical protection measures (e.g. earthing).
- Voltage, frequency and type of current must correspond with the rating plate.
- Check all electrical connections and wiring.
- Check any electrical, switching, safety and control devices connected.
- The unit may not be switched on when the housing is open.
- Measure electricity consumption at operating speed and compare with the rated current.
- Check the fan for excessive vibrations and noise generation.
- The impeller must not be rubbing against the inlet nozzle or other fittings.

Warning: When the voltage is connected the blower starts up at the middle stage. After four minutes the blowers switch back off again automatically. However, the unit can still be switched on during this time.

9. Operation

9.1. Control unit

The control unit enables the control and input of the unit's various functions. The control unit has an integrated temperature sensor (set-point sensor) for measuring the room temperature. The display shows the various operating parameters and error messages. You can select individual menu points or change values with the various buttons.

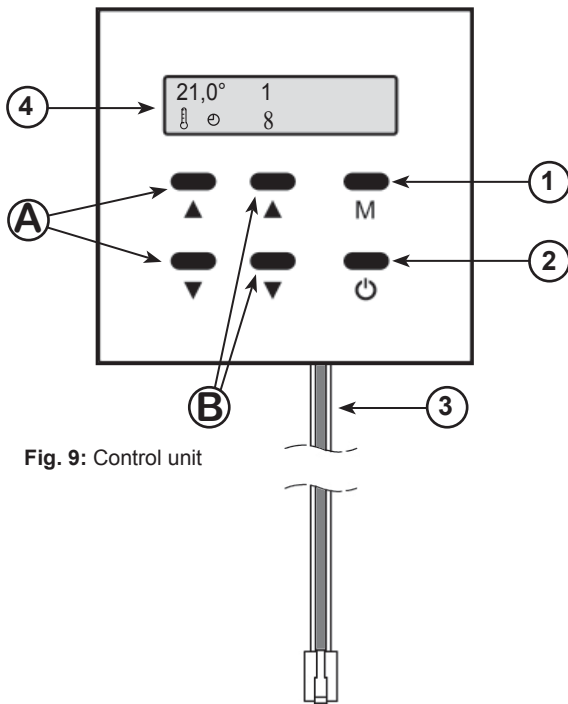
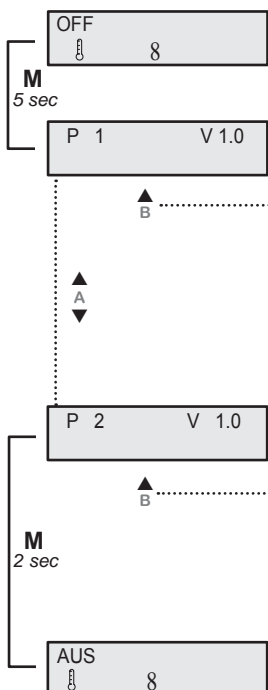


Fig. 9: Control unit

- 1) Mode Button Switches to the control unit parameter menu.
- 2) ON/OFF Button Button for switching the unit on or off or switching to menu management.
- A) Button A: Can be used to increase or reduce the set-point temperature in the status display or to switch through the individual operating menus or operating parameters.
- B) Button B: Can be used to increase or reduce the fan stages in the status display or to set values in the individual operating menus or operating parameters.
- 3) Control cable
- 4) Display

9.1.1. Adjustment of the control unit parameter

To be able to make changes to the control unit parameter, you must press the „Mode button“ (M) for at least 5 seconds. **P 1 will appear on the display.** Use button A (▲) to change to your desired parameter.



P 1 Unit control system

The control unit adapts automatically to the unit's control system with which it works. This can be checked under the menu point for control unit parameter P 1. Now press button B ▲ and the control unit will change to input mode. Now you can use the button A (▲ and ▼) to make changes in the unit control.

- Note: Change factory setting only in exceptional cases and only with the consent of the manufacturer.

P 1 Unit control system

Range of values	Factory setting
0 = Air handling units	0
1 = Constant pressure control	

P 2 Language setting

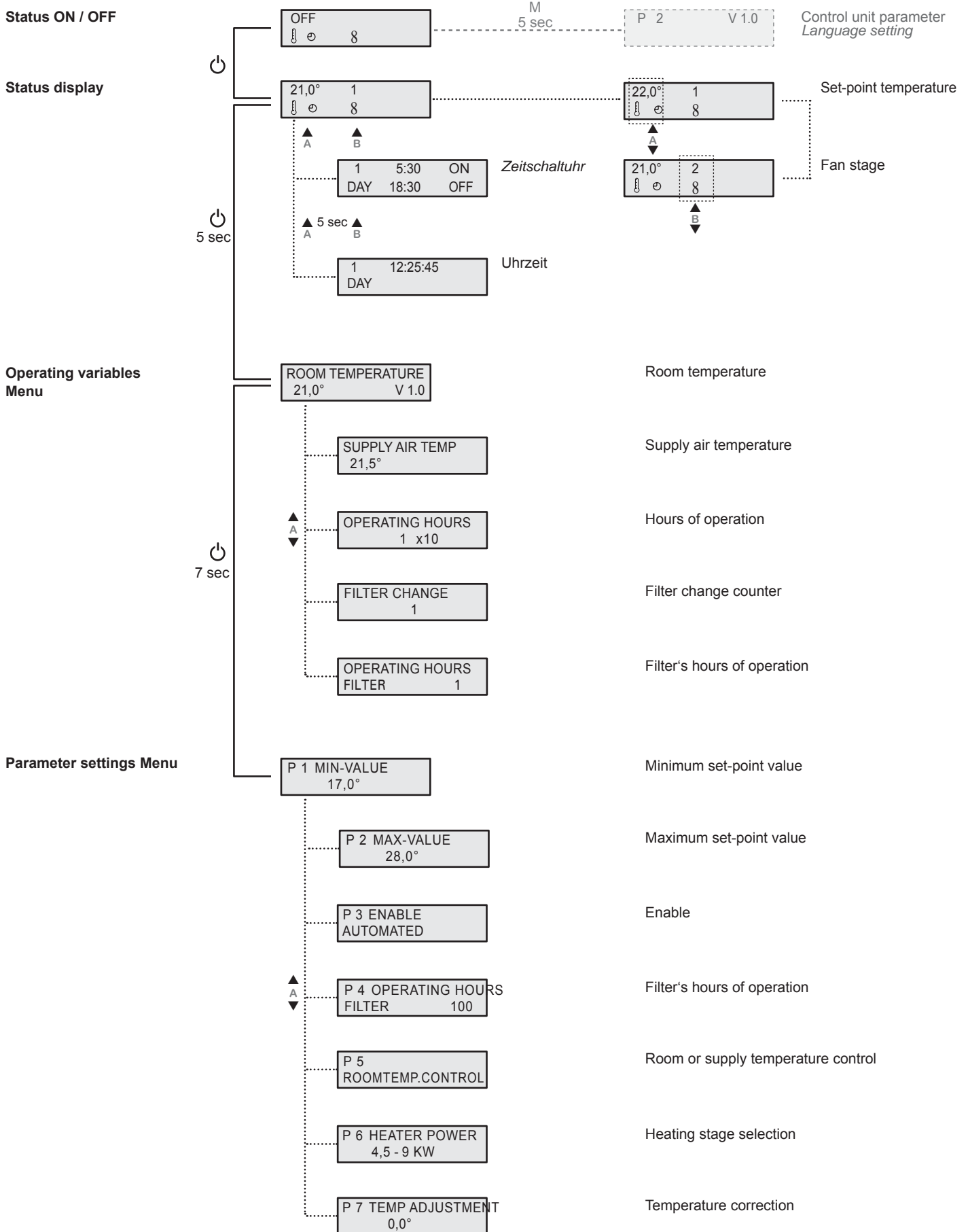
Use button A (▲) to change to parameter language setting P 2. Now press button B ▲ and the control unit will change to input mode. You can now use buttons A (▲ and ▼) to select the language required. Press button B ▲ again to accept the language selected.

Then press the „Mode button“ (M) for at least 2 seconds. The parameters will be saved and the menu will close. The Display switches into operating mode.

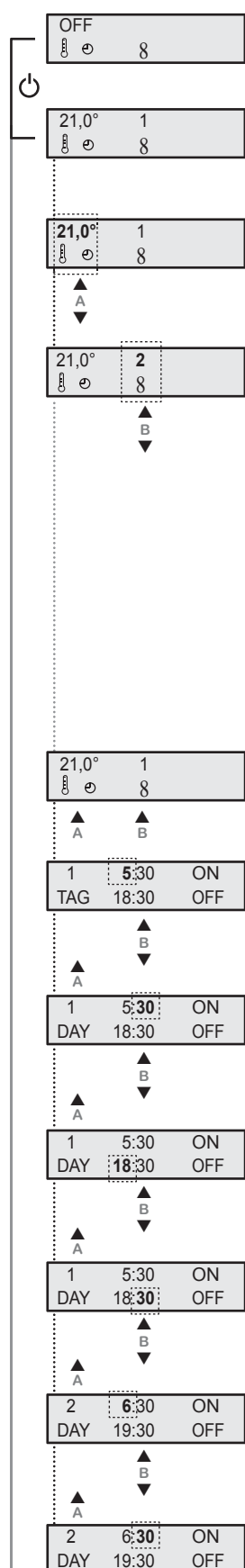
P 2 Language setting

Range of values	Factory setting
0 DEUTSCH	0 DEUTSCH
1 ENGLISH	
2 FRANCAIS	
3 ROMANA	
4 РУССКИЙ	
5 NEDERLANDES	
6 SLOVENCINA	
7 HRVATSKI	
8 MAGYAR	
9 SLOVENCINA	

9.2. Menu management



9.3. Menu functions



Switching the unit on/off on the control unit.

Press the ON/OFF button (1) to switch the unit on or off.
The unit's status now appears on the display with the current values.

- ⌘ » Set-point temperature display
- ⌚ » Time switch is on.
- ⌘ » Fan stage

Changing the set-point temperature

When commissioning for the first time, a set-point value of 21°C is given. This value is shown on the left-hand side of the display. The set-point value can be increased (▲) or reduced (▼) on the control unit using buttons A. (The setting range is limited by parameters P 1 and P 2.)

Changing fan stage

There are two possibilities for selecting the fan stages: automatic and continuous mode. Press buttons B (▲ and ▼) at the same time to switch between the two modes. Automatic mode is indicated on the display by the regular flashing of the fan stage selected.

- **Continuous mode**
In continuous mode, the fan stages can be selected with buttons B (▲ and ▼) on the control unit. The control system does not then affect the speed of the fan (except for in the case of a fault). Continuous mode can be seen by the constant display of the fan stage on the display.
- **Automatic mode**
In automatic mode the fan will always try to run in the highest possible stage. If the set-point temperature set is not achieved by this, it switches to a lower fan stage to be able to ensure a constant room and exhaust air temperature.

9.3.1. Time / Time switch

The control unit has an integrated time switch. This can be used to control the time your unit will come on, individually for each day of the week.

Setting the time switch

With the setting parameters for the time switch, the times when the unit is to come on (ON) or off (OFF) can be set individually for each day of the week.

From the status display, press button A ▲ and B ▲ to get to the menu for setting the time switch.

On the display, on the top line, the display flashes for the „hour“ in which the unit is to come on (ON) on day 1. Press buttons B (▲ and ▼) to set the „hour“ and then confirm the entry with button A ▲. The display then moves on to the „minutes“ which can be set in the same way with buttons B (▲ and ▼) and confirmed with button A ▲. (The minutes are set in 5-minute increments.)

On the display, on the bottom line, the display now flashes for the „hour“ in which the unit is to switch off on day 1. The „hour“ and „minutes“ are again set and confirmed with buttons B (▲ and ▼) and button A ▲.

Table 2

Set	Day
1	Monday
2	Tuesday
3	Wednesday
4	Thursday
5	Friday
6	Saturday
7	Sunday

Once the entry has been confirmed, the display moves on to day 2 where the individual on and off times can be set. Days 3 to 7 then follow.

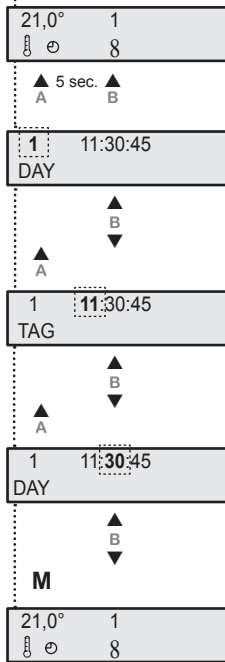
Once you have set all of the parameters / days, press the „Mode button“ (M) to go back to the unit's status display.

However, you do not have to go through the whole time switch menu to get back to the status display. You can press the „Mode button“ (M) at any time to go back to the status display.

Note:

- If the time 0:00 is given in the parameters, the unit will not switch on or off. If, for example, you do not want the unit to come on at the weekend, you should set the value to 0:00 for „Day 6“ and „Day 7“.
- The values set are saved even when there is a power failure or if the battery in the control unit runs down. Only the current time and day of the week have to be reset.

Note: Instructions on changing the clock battery are given in section 10.3.2.



Setting the current time / day

From the status display, press button A ▲ and B ▲ for approximately 5 s to get to the menu for setting the current time and the current day of the week .

The display shows the current time and day set.

Above the „DAY“ display there is a value indicating the current day of the week.

When the value is flashing you know that you can now set it. Press buttons B (▲ and ▼) to set the current day of the week (see Table 3). Press button A ▲ to confirm the set value.

On the display, the „hour“ now starts to flash. The hour is set by again pressing buttons B (▲ and ▼) and then confirmed with button A ▲. The display then moves to „minutes“ which can be set in the same way with buttons B (▲ and ▼) and confirmed with button A ▲.

Table 3

Set	Day
1	Monday
2	Tuesday
3	Wednesday
4	Thursday
5	Friday
6	Saturday
7	Sunday

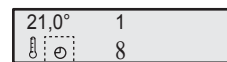
Press the „Mode button“ (M) to go back to the status display.

Switching the time switch on and off.

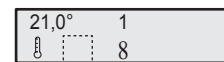
The time switch can be switched on and off as required.

From the status display you can switch the time switch on or off by pressing button A ▼ and B ▼ at the same time.

When the time switch is on, a continuous clock symbol is shown on the display.

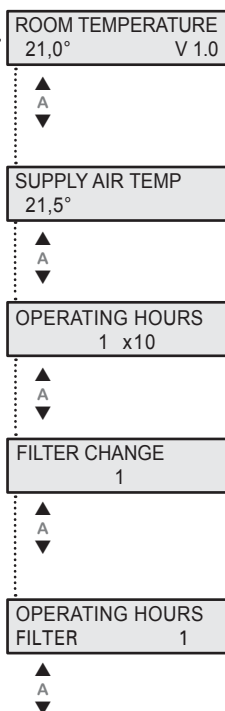


Time switch on



Time switch off

5 sec



9.3.2. Operating variables Menu

You move to the operating variables menu by pressing the ON/OFF button, which must be held down for approx. 5 seconds.

The display then changes to the information for „ROOM TEMPERATURE“. The individual menu points can be called up with buttons A (▲ and ▼) on the control unit. Press the „Mode button“ (M) once to go back to the start functions and the status display.

Room temperature

This shows the value of the current room temperature, measured by a temperature sensor in the control unit.

The value after V shows which software version your unit has.

Supply air temperature

This shows the value of the current supply air temperature, measured by a temperature sensor in the unit, in the supply air flow area.

Hours of operation

The current number of hours for which the unit has been in constant operation.

- Value x 10 in hours.

Filter change counter

Number of filter changes made. The value rises automatically whenever a filter has been correctly changed. More information and notes on changing the filter are given in Section 10.3.1 „Air filter“ in this manual.

Filter's hours of operation

The current number of hours for which the air filter has been in constant operation since the last time the air filter was correctly changed.

9.3.3. Parameter settings Menu

You move to the parameter settings menu by pressing the ON/OFF button, which must be held down for approx. 7 seconds.

The display then changes to „P 1 MIN-VALUE“.

The individual menu points can be called up with buttons A (▲ and ▼) on the control unit.

The values can be changed with buttons B (▲ and ▼).

Press the „Mode button“ (M) to go back to the starting functions.

7 sec

P 1 MIN-VALUE
17,0°

▲ A ▲ B
▼ ▼

P 2 MAX-VALUE
28,0°

▲ A ▲ B
▼ ▼

P 3 ENABLE
AUTOMATED

▲ A ▲ B
▼ ▼

P 1 Minimum set-point value

Parameter P 1 gives the minimum set-point temperature that can be set on the control unit.

Values between 5°C and 20°C can be selected.

The default setting is 17°C.

P 2 Maximum set-point value

Parameter P 2 gives the maximum set-point temperature than can be set on the control unit.

Values between 21°C and 30°C can be selected.

The default setting is 28°C.

P 3 Enable

Switching the unit on and off with an external contact.

P 3 ENABLE
AUTOMATED

Contact open. The unit is switched off.

Contact closed. The unit is switched on / ready for operation.

P 3 ENABLE
ACKNOWLEDGED

The unit can only be switched on if the contact is closed. If the contact is open the display will show „NOT ENABLE“.

The contact should be closed and then acknowledged with button B ▲.

The default mode is AUTOMATIC.

P 4 OPERATING HOURS
FILTER 100

▲ A ▲ B
▼ ▼

P 4 Filter's hours of operation

With parameter P 4, the air filter's operating capacity can be given in hours until it has to be changed.

Value x 10 in hours (e.g. value 100 = 1000 hours of operation).

21,0° 1
8 8 FILTER

When the set number of hours is reached, the filter display will remind you that the air filter has to be changed.

To reset the filter display, after the filter change, press buttons A (▲ and ▼) until the filter display disappears.

The filter change counter will then increase by one.

P 5
ROOMTEMP.CONTROL

▲ A ▲ B
▼ ▼

P 5 Room or supply temperature control

The room or supply air temperature controller compares the air temperature measured on the room or supply air temperature sensor with the set-point temperature set on the control unit. In the case of heating, a difference between the set-point and actual temperature causes the controller to increase or reduce the heat output.

P 5
ROOMTEMP.CONTROL

With room temperature control, any external heat source in the room will be taken into account and compensated for by a correction to the supply air temperature. The room temperature sensor is in the control unit.

P 5
SUP.AIR TEMP.CON

With supply air temperature control, the external heat source is not taken into account.

P 6 HEATER POWER
4,5 - 9 KW

▲ A ▲ B
▼ ▼

P 6 Heating stage selection

There are three heating stages to choose from:

P 6 HEATER POWER
0 KW

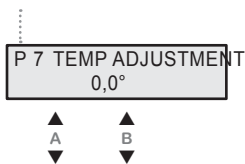
No heating is added.

P 6 HEATER POWER
3 KW

The setting depends upon the type of device. The values for the setting are given in Section 14 „Technical Data“.

P 6 HEATER POWER
4,5 - 9 KW

The setting depends upon the type of device. The values for the setting are given in Section 14 „Technical Data“.



P 7 Temperature correction

The control sensor can be calibrated with parameter P 7. Buttons B (▲ and ▼) can be used to correct the control sensor within a range from -5°C to 5°.

- Control sensor for room temperature control = sensor in the control unit.
- Control sensor for supply air temperature control = sensor in the unit.
- Control sensor for ambient air mode = sensor in the control unit.

9.4. Additional functions

Start at low external temperatures

By switching on the appliance, it can take some time until the electric heating element reaches operating temperature. A special start-up automation will avoid that cold air is blown into the room during this time. If supply air temperature drops more than 2 °C below the set value, the control unit periodically checks the correct set value by switching on the fan on level 1. The appliance switches to the selected operation mode, if the temperature reaches a higher value as the set value minus 2 °C. The control unit also changes to normal operation mode, if 7 minutes exceed the time during start-up automation.

Thermal contact

The motor has a thermal contact that opens when the permissible motor temperature is exceeded. The unit switches off when the contact opens. The fan will start again automatically once the motor has cooled down, i.e. when the contact closes. No error message is given.

Supply air temperature limit

If there are large temperature differences between the specified set-point temperature and the measured temperature, this may lead to the introduction of very hot air in the case of room air temperature control. This high supply air temperature can lead to a deterioration of the air quality in the room. To prevent this, in the case of heating, the supply air temperature is limited to a maximum value of approximately 35 °C.

Electric heating element

The electric heating element has continuous output control. A safety temperature limiter (STB) switches the electric heater off, in the event of a fault, when the temperature reaches 75 °C. Once the safety temperature limiter (depending on model with 1 or 3 limiters) has been tripped, it has to be reset manually (see Fig. 10). In this case, the fan insert has to be dismantled. Before resetting the temperature limiters and reinstalling the inserts the cause for tripping of the STB needs a troubleshooting.

Filter monitoring

After a set time, the filter display reminds you that the air filter has to be changed. A detailed description of changing the air filter is given in Section 10.3.1.

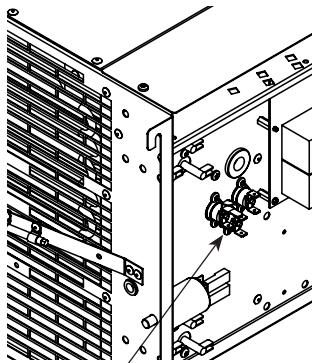


Fig. 10:
Reset buttons
safety temperature limiter

10. Maintenance and repair

10.1. Important notes



- **Electricity warning (hazardous voltage)**
- » Failure to observe the hazard may result in death, injury or damage to property.
- Before performing any work on conductive parts, always disconnect the unit completely from the electricity supply and make sure that it cannot be switched back on again.



- **Never reach into the impeller or other rotating or moving parts.**
- » Failure to observe the hazard may lead to serious injury.
- Work may only be performed once the impeller has come to a complete halt.



- **Caution! Burning hazard.**
- » Failure to observe the hazard may result in personal injury and/or damage to property.
- Do not touch the surface until the motor and heater have cooled.



Maintenance and repairs may only be performed by specialist personnel in accordance with this installation and operating manual and the regulations in force.

Do not repair defective or damaged units yourself, but report the damage or faults to the manufacturer in writing.



- **Unauthorized repairs may cause personal injury and / or damage to property, in which case the manufacturer's guarantee or warranty will not apply.**



10.2. Cleaning and care

Servicing, troubleshooting and cleaning may only be performed by specialist personnel in accordance with this installation and operating manual and the regulations in force.

If operated correctly, MAICO products only require a small amount of maintenance.

The following work should be performed at regular intervals, in accordance with health and safety regulations:

- Check the operation of the control system and safety devices.
- Check electrical connections and wiring for damage.
- Remove any dirt from the fan impeller or impellers and from inside the fan housing in order to prevent any unbalance or reduction in output.
 - » Do not use aggressive or easily flammable products for cleaning (impellers/housing). Preferably only water (not flowing water) or mild suds should be used.
 - » The impeller should be cleaned with a cloth or brush.
 - » Never use a high-pressure cleaner.
 - » Balancing clips must not be moved or removed.
 - » The impeller and fittings must not be damaged in any way.
- Check the operation of the bearing with a visual inspection and by checking running noise.
- Check the unit for leaks on the air side.

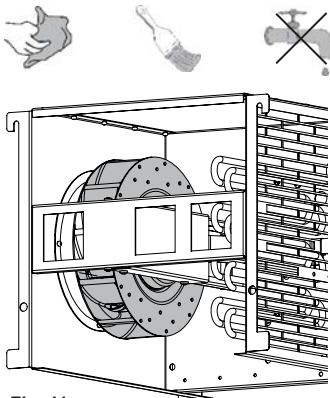


Fig. 11:
Maintenance



Before putting the unit back into operation after maintenance and servicing work, carry out a visual inspection as described in Section 7.

10.3. Maintenance

10.3.1. Air filter

When the number of hours of operation for the air filter has been reached (parameter P 4), the display will remind you that the air filter has to be changed.

FILTER will appear in the bottom right of the status display.

Once the filter has been changed, the filter display can be reset again.


To do this, hold down buttons A (▲ and ▼) at the same time until the filter display disappears.

The filter change counter will then increase by one.


The following points should be noted and followed:

- Change the filter as shown in the pictures below.
- Loosen the air filter flap (2). The filter (3) can then be easily removed (see Fig. 12+13).
- When changing the filter make sure that the filter frame is seated correctly in the unit.
- The air filter should be replaced if severely clogged.
- After changing the filter, close the filter flap (2) and the unit's cover (1) again.

Status display

21,0°	1
	FILTER

Reset the display:

21,0°	1
	

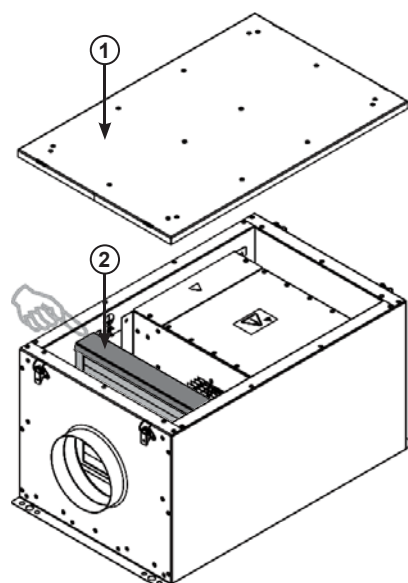


Fig. 12:
Remove cover (1) and loosen
air filter flap (2)

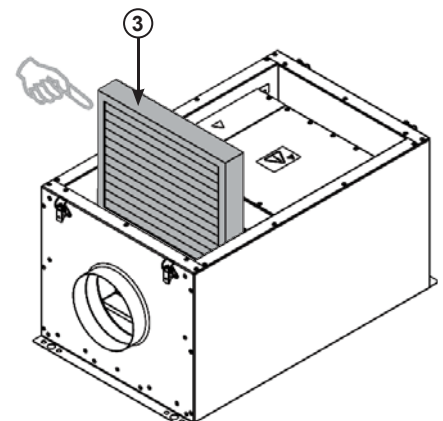
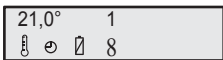


Fig. 13:
Take out the air filter (3)
and replace.

Status display



Reset the display:



10.3.2. Changing the battery

The battery's operating capacity is checked when voltage is applied to the unit.

A dead battery is indicated by a battery symbol in the status display. Change the battery as follows:

- Remove the control cable (1) from the control unit.
- Open the control unit by removing the cover (2).
- The holder (3) for the battery is on the board. Remove the battery and replace it with a new one as shown in Fig. 14 C.
- The control unit can now be closed again and the control cable connected again.
- You only have to reset the current time (see Section 9.3.1). The battery symbol disappears from the status display. Your control unit is fully functional again.

Note: requires a 3 V lithium CR 1616 button cell battery.

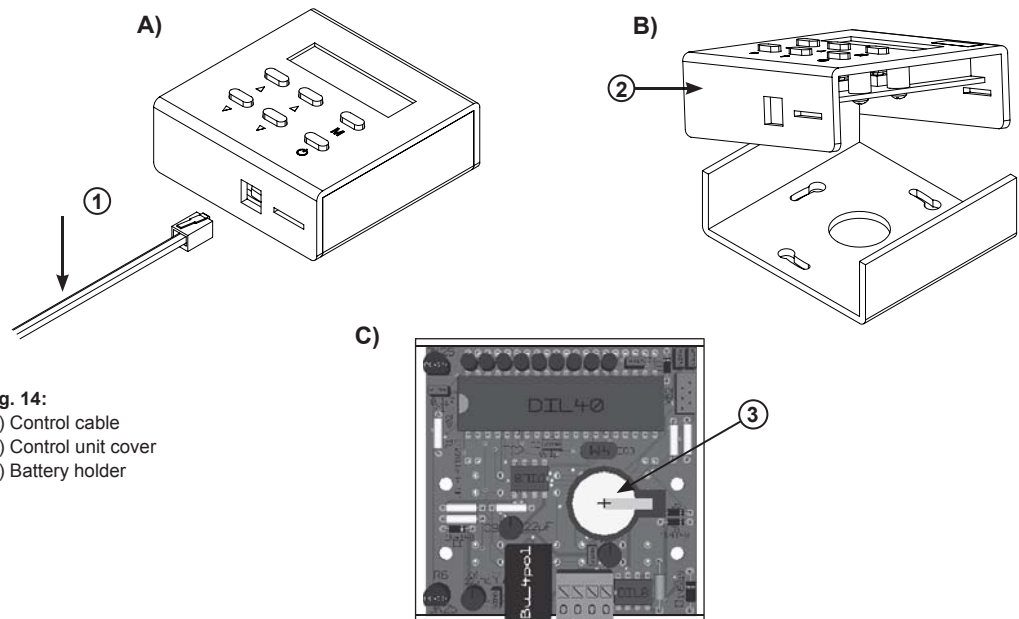


Fig. 14:

- (1) Control cable
- (2) Control unit cover
- (3) Battery holder



11. Expansion and reconfiguration

The unit must not be reconfigured.

MAICO product's warranty only applies for the configuration delivered. The warranty will cease to apply after any reconfiguration or expansion.

12. Dismantling and disposal



- **Risk of injury if dismantled under hazardous voltage!**
- » **If you do not switch off the voltage before starting to dismantle the unit you may injure yourself and damage the product or parts of the installation.**
- **Make sure that the relevant parts of the installation have been disconnected from the voltage supply.**

Dismantle the unit as follows:

12.1. Disassembling the product.

Observe the safety instructions given in Sections 2 to 8 and Section 12 when decommissioning and disassembling the unit.

12.2. Disposal

Careless disposal of the unit may be cause pollution.

Please therefore dispose of the unit in accordance with the national requirements that apply in your country.

13. Troubleshooting

Please note the following instructions:

- Proceed systematically and purposefully when troubleshooting, even when under the pressure of time. In the worst case, randomly and indiscriminately dismantling and changing settings may result in it no longer being possible to determine the original cause of the fault.
- Get an overview of the unit's operation in conjunction with the overall installation.
- Try to clarify whether the unit provided the required function in the overall installation before the fault occurred.
- Try to find any changes to the overall installation in which the unit is installed:
 - » Have the unit's operating conditions or operating range been changed?
 - » Have any changes (e.g. reconfigurations) or repairs been performed on the overall system (installation, electrics, control) or to the unit? If yes: what?
 - » Has the unit been operated correctly?
 - » How does the fault appear?
- Form a clear idea of the cause of the fault. If necessary, question the immediate operator or the installation operator.



If you have not been able to remove the fault, please contact the manufacturer. The contact address can be found at www.maico.de or on the back cover of this operating and installation manual.

13.1. Low-current fuses

To protect the electrical equipment there are two low-current fuses in the unit (see Fig. 15.).

When a fuse blows for the first time, this may be due to ageing.

In this case we recommend replacing the defective fuse with a new one.

If the fuse blows again, the fault can be located and repaired using the following chart.

A low-current fuse must be changed by specialist personnel.

The low-current fuses must comply with EN 60127, dimensions 5 x 20 mm.

Fuse	Possible causes	Fault correction
F1 / T 0,2 A	<ul style="list-style-type: none"> • Control unit defect. • Connecting lead defect. • Mainboard defect. 	<ul style="list-style-type: none"> • Replace control unit. • Replace connecting lead. • Inform Service.
F2 / T 6,3 A	<ul style="list-style-type: none"> • Damper drive or lead defect. • Damper drive defect. 	<ul style="list-style-type: none"> • Replace lead. • Replace damper drive.

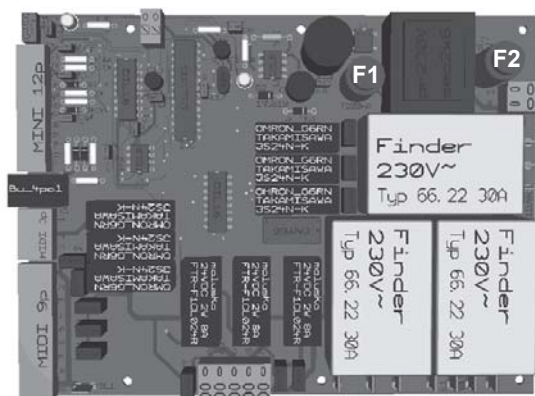


Fig. 15:
Board with low-current fuses F1 and F2.



13.2. Fault diagnosis chart

If a fault occurs on the unit one or more fault messages will appear on the display. Move between the various faults with buttons A (▲ and ▼). A fault is acknowledged with button B ▲. It is not possible to use the control unit until all of the faults have been removed and acknowledged. Depending on the priority of the fault, the installation will either switch off or continue working with the last settings.

The following faults might be shown on the display:

Fehleranzeige Display	Fehlerart und Fehlerbehebung
ERR	ERROR » The control unit has no reception. » Check the connection or replace the cable if necessary.
F01 STOERUNG ZULUFTTEMPERATUR	Supply air temperature sensor fault » The supply air temperature sensor is defective or the cable has broken. » Replace the defective temperature sensor or replace the broken cable if necessary. » After removing the cause of the fault, the fault must be acknowledged with button B ▲.
F02 STOERUNG RAUMTEMPERATUR	Room temperature sensor fault. » The room temperature sensor is defective or the cable has broken. » Replace defective control unit or lead as appropriate. » After removing the cause of the fault, the fault must be acknowledged with button B ▲.
F08 STOERUNG SICHERHEITSTHER.	Fault in the safety thermostat - electric heating element temperature monitoring. » The housing temperature is higher than 75 °C. The control circuit is broken, the electric heater is switched off. Possible cause: defective supply air valve, fan has failed, etc. » Repair supply air valve, check fuses F2. » Once the cause of the fault has been removed, the reset button on the safety thermostat (see Fig. 10) must be reset manually and the fault must be acknowledged on the control unit with button B ▲.
FREIGABE FEHLT	No release » The release contact is not closed. » Close the release contact. The unit can then be started.



13.3. Possible operating faults.

Further faults may occur before and during operation of the unit which are not indicated by an error message on the display.

Faults	Possible causes	Fault correction
Fan does not run.	<ul style="list-style-type: none"> Unit not switched on. No electricity supply Supply lead not connected. Thermal contact has opened. 	<ul style="list-style-type: none"> Switch unit on. Check fuse / supply Have the supply lead connected by an electrician. Allow fan motor to cool.
Airflow to low.	<ul style="list-style-type: none"> Fan speed set to slow. Airway obstructed Filter clogged 	<ul style="list-style-type: none"> Set the fan speed higher. Ensure that the air ducts are unobstructed. Change filter
Draughts	<ul style="list-style-type: none"> Fan speed set to high. Blown air temperature too low. 	<ul style="list-style-type: none"> Set the fan speed lower. Increase the temperature setting on the regulator.
Unit to noisy.	<ul style="list-style-type: none"> Fan speed set to high. Air outlet obstructed, causing air noises. Fan bearing noise. Filter clogged 	<ul style="list-style-type: none"> Select a lower speed setting. Free the air ducts of restrictions and direction changes. Inform specialist company / service Change filter

14. Technical data

Specifications			ECR 12	ECR 16	ECR 20	ECR 25	ECR 31
Units / Model							
Length	<i>L</i>	mm	628	628	628	718	718
	<i>L 1</i>	mm	670	670	670	760	760
	<i>L 2</i>	mm	646	646	646	736	736
Width	<i>W</i>	mm	406	406	406	466	466
	<i>W 1</i>	mm	403	403	403	463	463
	<i>W 2</i>	mm	363	363	363	423	423
	<i>W 3</i>	mm	323	323	323	383	383
	<i>W 4</i>	mm	283	283	283	343	343
Height without holder	<i>H</i>	mm	346	346	346	406	406
Nominal width	<i>NW</i>	mm	125	160	200	250	315
Weight		kg	20,4	20,3	23,4	31,4	31,3
Operating voltage	<i>V</i>		230V ~	230V ~	400V 3~N	400V 3~N	400V 3~N
Frequency	<i>Hz</i>		50	50	50	50	50
Power consumption	<i>W</i>		3000	3000	4500	9000	9000
Maximum current	<i>A</i>		14	14	7,2	14,7	14,7
Current fan	<i>A</i>		0,4	0,4	0,5	1,0	1,0
Max. medium temp.	<i>°C</i>		40	40	40	40	40
Max. air volume	<i>m³/h</i>		330	380	620	1000	1060
RPM	<i>1/min</i>		2490	2490	2640	2450	2450
Max. pressure	<i>Pa</i>		320	320	405	540	530
Sound intake air	<i>dB</i>		49	52	62	65	67
Sound outlet air	<i>dB</i>		55	55	65	68	70
Fan stage			3	3	3	3	3
Filter grade (Z-line)			G4	G4	G4	G4	G4
Wiring diagrams			118580	118580	118579	118578	118578
Control unit							
Size	<i>W+H+T</i>	mm	82+82+30	82+82+30	82+82+30	82+82+30	82+82+30
Assembly size	<i>∅ B</i>	mm	60	60	60	60	60
	<i>∅ D</i>	mm	22	22	22	22	22

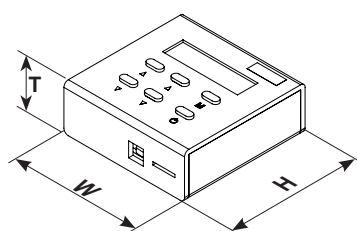


Fig. 16:
Outside dimensions of the control unit.

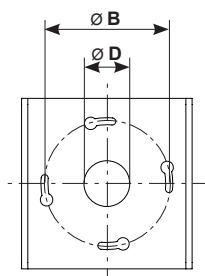


Fig. 17:
Installation dimensions of the control unit.

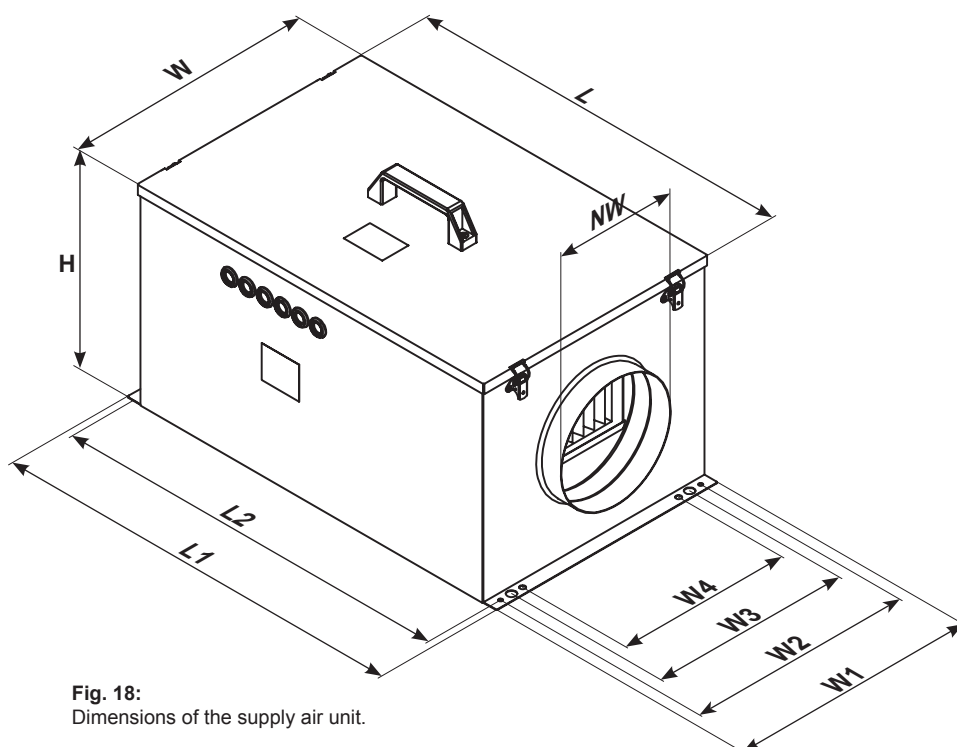


Fig. 18:
Dimensions of the supply air unit.



15. Appendix

15.1. List of parameters

The following table lists all of the parameters that are displayed on the control unit, some of which may be changed. Section 9.3.3 „Parameter settings menu“ gives full instructions on operating and setting the corresponding parameters.

No.	Denotation	Range of values	Factory setting
P 1	Minimum set-point temperature that can be set on the control unit.	5 °C 20 °C	17 °C
P 2	Maximum set-point temperature that can be set on the control unit.	21 °C 31 °C	28 °C
P 3	External release	AUTOMATISCH QUITTIERUNG	AUTOMATISCH
P 4	Filter's hours of operation	Value x 10 in hours	
P 5	Room or supply temperature control	RAUMTEMP.REG. ZULUFTTEMP.REG.	RAUMTEMP.REG.
P 6	Heating stage setting.	0 KW 3 KW 4,5 - 9 KW	Depending on the device
P 7	Correction of the control sensor.	-5 °C 5 °C	0

Notes

.....

.....

.....

.....

.....

.....

.....

.....

.....

.....

.....

.....

.....

.....

.....

.....

.....

.....

.....

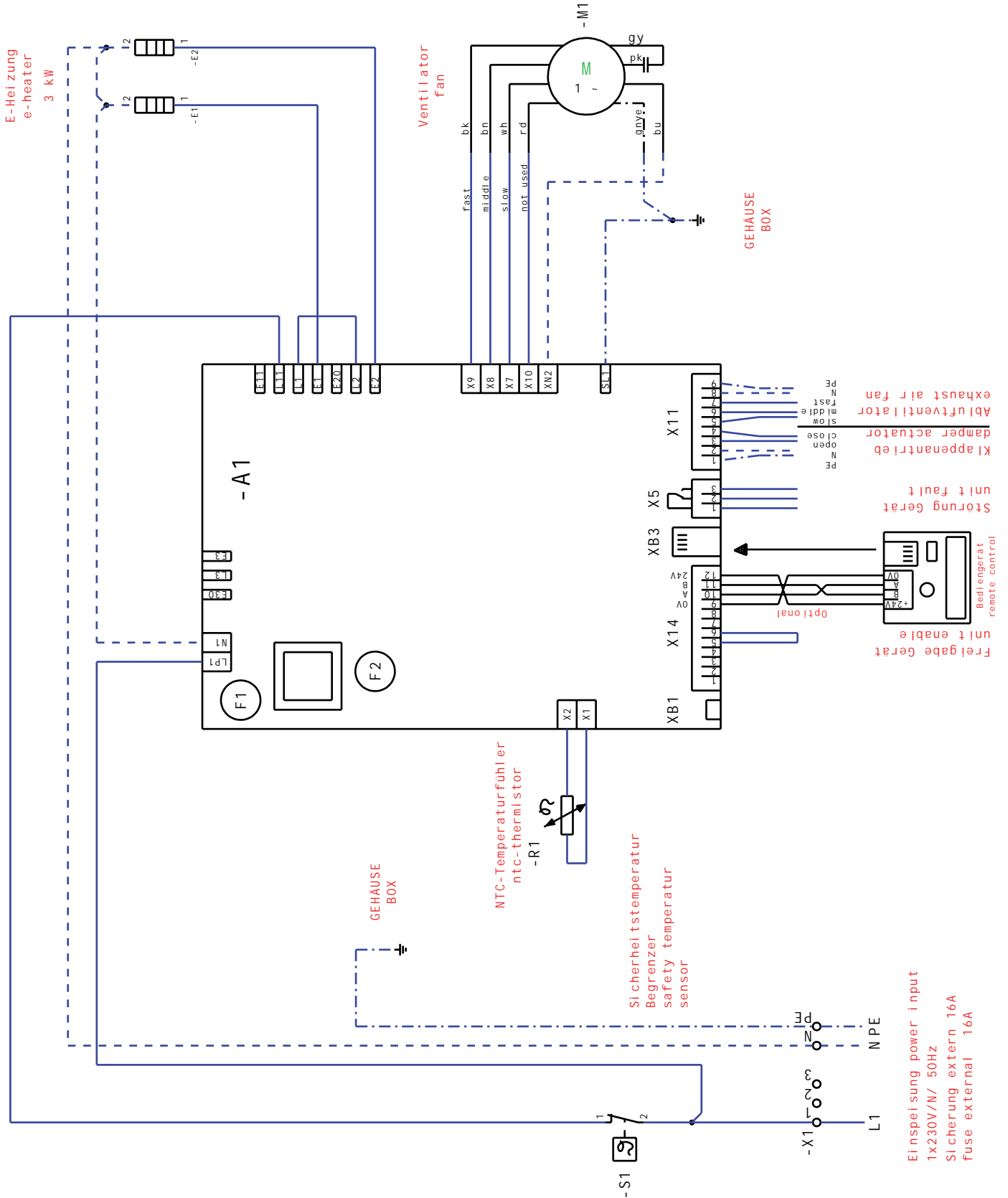
.....

.....

15.2. Wiring diagrams

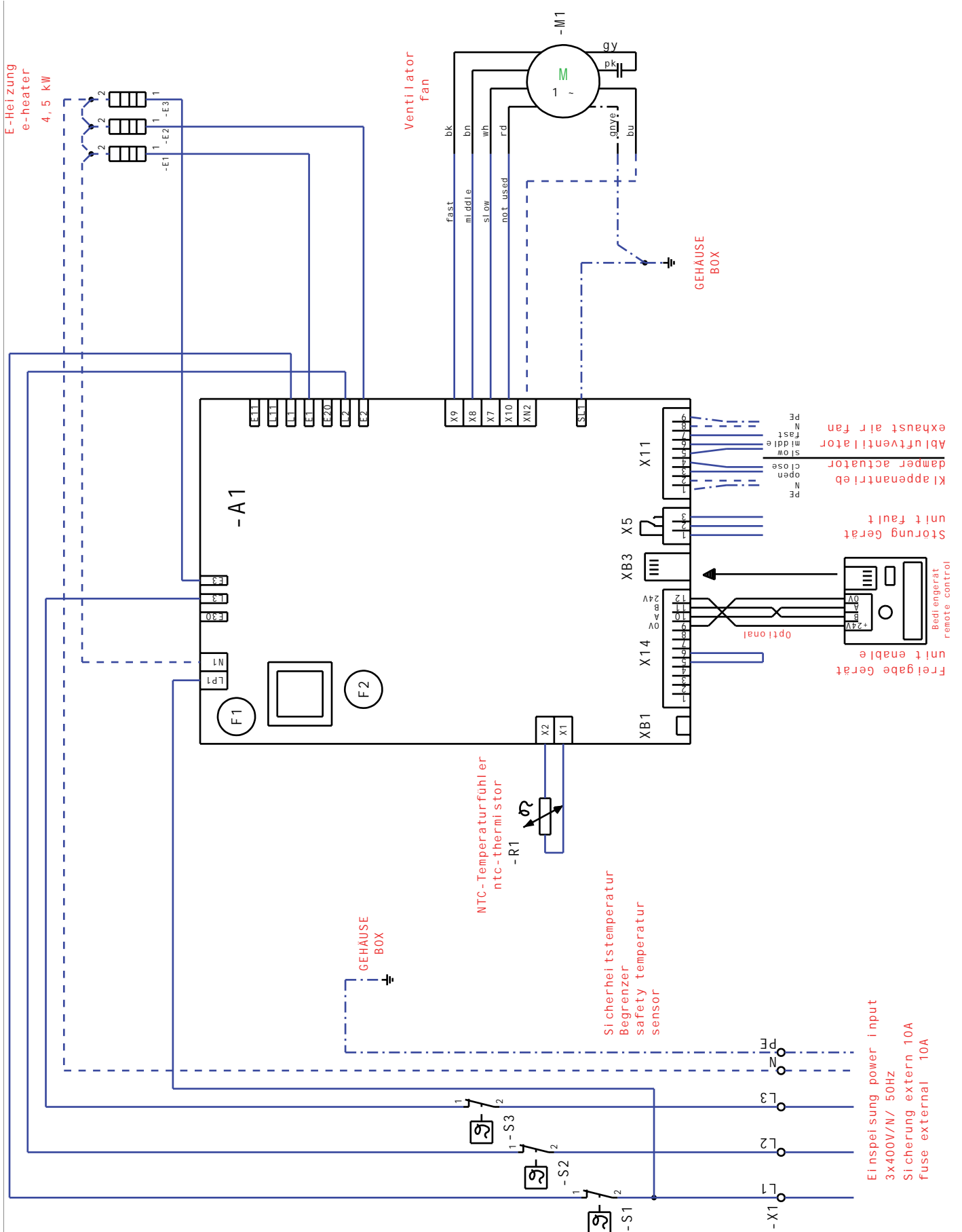
ECR 12 / ECR 16

118580



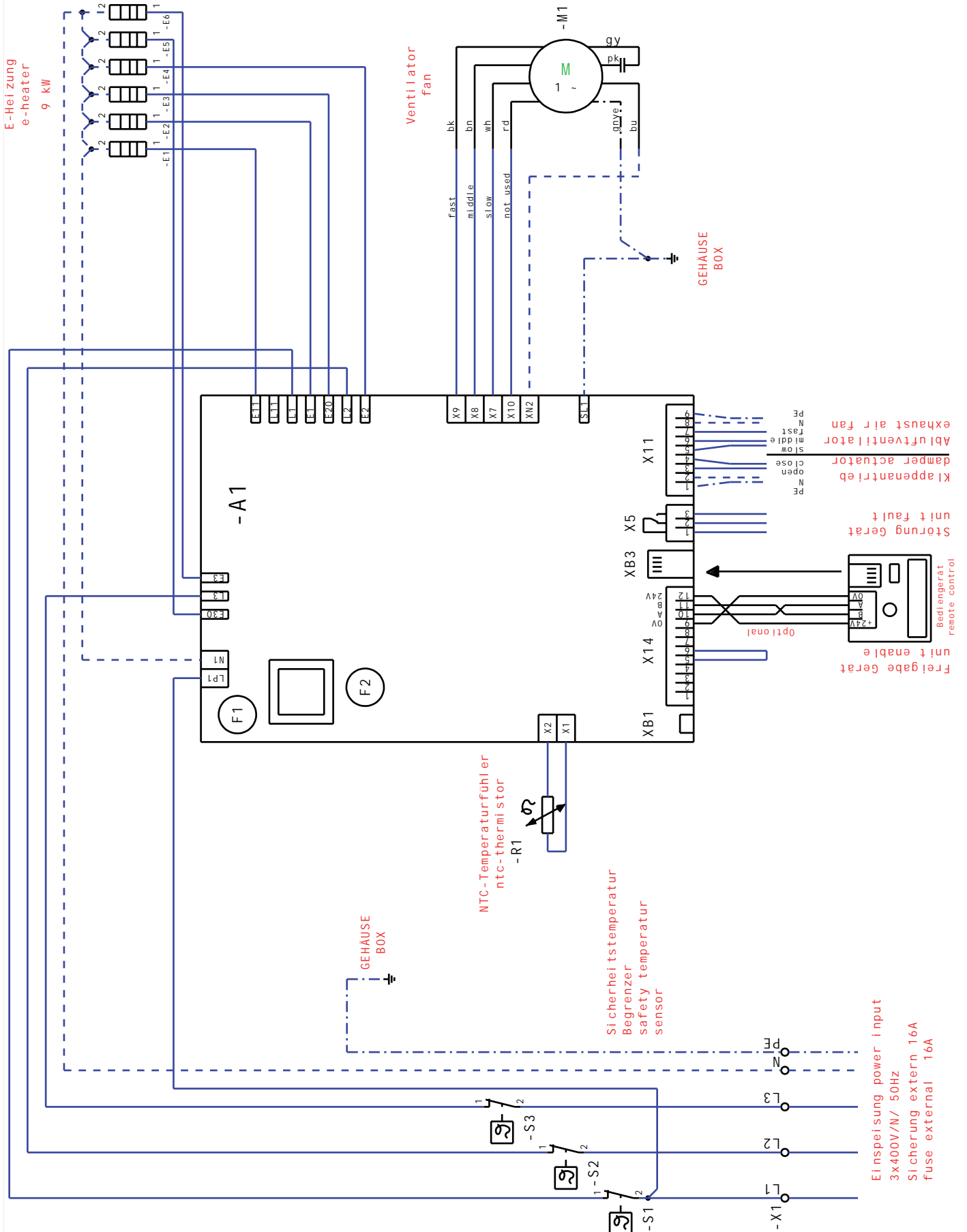
ECR 20

118579



ECR 25 / ECR 31

118578



Einspeisung power input
 3x400V/N/ 50Hz
 Sicherung extern 16A
 fuse external 16A

Freigabe Gerät
 unit enable
 Bediengerät
 remote control
 optional
 Störung Gerät
 unit fault
 Klappenantrieb
 damper actuator
 open
 close
 Abluftventilator
 exhaust air fan
 Fast
 Middle
 Slow

Sicherheitstemperatur
 Begrenzer
 safety temperature
 sensor

NTC-Temperaturfühler
 ntc-thermistor

Ventilator
 fan

E-Heizung
 e-heater
 9 kW

MAICO Elektroapparate Fabrik GmbH

Steinbeisstraße 20
D-78056 Villingen-Schwenningen

Tel. +49 (0)7720 / 694 - 0

Fax. +49 (0)7720 / 694 - 263

info@maico.de

www.maico.de

The data specified above only serve to describe the product. No statements concerning a certain condition or suitability for a certain application can be derived from our information.

The information given does not release the user from the obligation of own judgment and verification.

It must be remembered that our products are subject to a natural process of wear and aging.

This document, as well as the data, specifications and other information set forth in it, are the exclusive property of **MAICO** Elektroapparate Fabrik GMBH.

It may not be reproduced or given to third parties without its consent.

Information updated:

print 31.08.2011

mzf_pb_07_k11102_en

We reserve the right to make changes

English